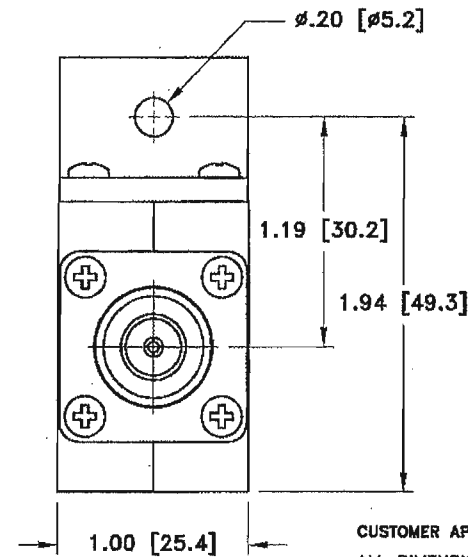
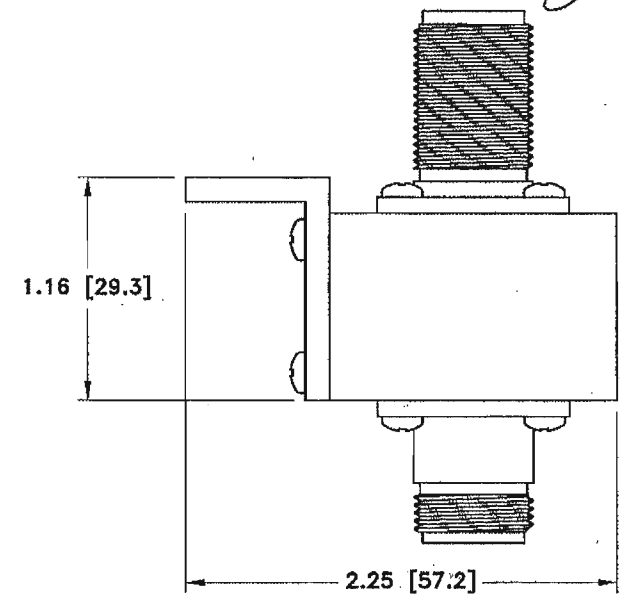
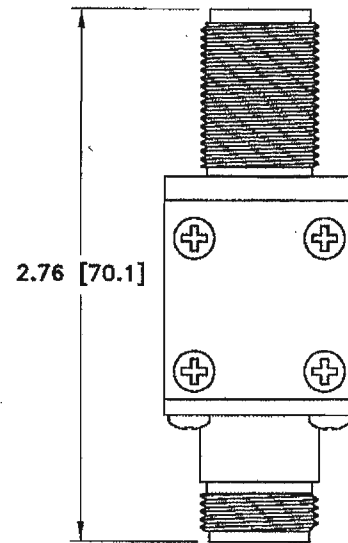
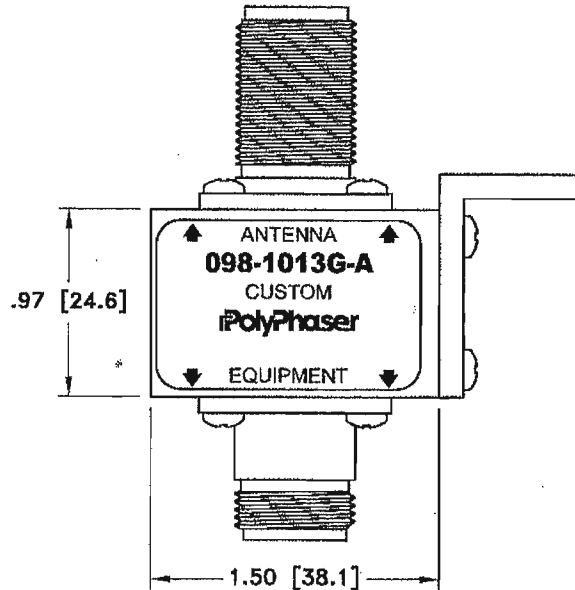


ALL DESIGN, OPERATING AND PROCESS DATA PERTAINING TO THE ARTICLE SHOWN ON THIS SHEET IS THE PROPERTY OF POLYPHASER CORPORATION. THE INFORMATION IS NOT TO BE COPIED, REPRODUCED, REVEALED TO OR APPROPRIATED BY OTHERS WITHOUT THE EXPRESS WRITTEN CONSENT OF POLYPHASER CORPORATION.

REVISIONS				
REV LTR	DATE	ENG	MKTG	Q.A.
G	03/27/03	SH RUD		



MAXIMUM CHARACTERISTICS

APPLICATION:
BULKHEAD MOUNT

FREQUENCY RANGE:
DC TO 1.2GHz

VSWR:
 $\leq 1.1: 1$ OVER FREQUENCY RANGE

INSERTION LOSS:
 $\leq 0.1\text{dB}$ OVER FREQUENCY RANGE

MAX POWER:
100W

TURN-ON:
 $\pm 300\text{Vdc} \pm 20\%$

THROUGHPUT ENERGY:
 $\leq 120\text{mJ}$ FOR 8/20 μs WAVEFORM

DC:
UP TO $\pm 48\text{Vdc}$ 2A MAX

OPERATING TEMPERATURE:
 -40°C TO $+85^\circ\text{C}$

STORAGE TEMPERATURE:
 -40°C TO $+85^\circ\text{C}$

RELATIVE HUMIDITY:
90% AT 40°C

VIBRATION
1G AT 5Hz TO 100Hz

These commodities or technology are exported from the U.S. in accordance with the Export Administration Regulations. Diversion contrary to U.S. law prohibited. Ref. ECN 2595

CUSTOMER APPROVAL: _____ DATE: _____
ALL DIMENSIONS SHOWN ABOVE ARE FOR REFERENCE ONLY.

DRAFTER S. HALL	DATE 11/10/98
MECH ENGINEER O. AKDAG	DATE 11/10/98
ELEC ENGINEER T. KULBIEDA	DATE 11/10/98
MARKETING ---	DATE ---
QUALITY DEPT R. MATHEUS	DATE 11/10/98

CAGE CODE 61114	FILE NAME -C1	SCALE 1/1	SHEET 1 OF 1
--------------------	------------------	--------------	-----------------

PolyPhaser

098-1013G-A
CUSTOMER PRINT