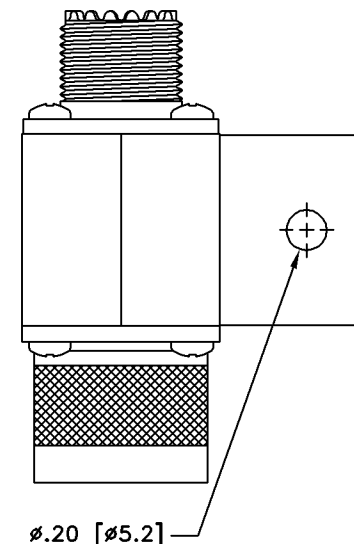
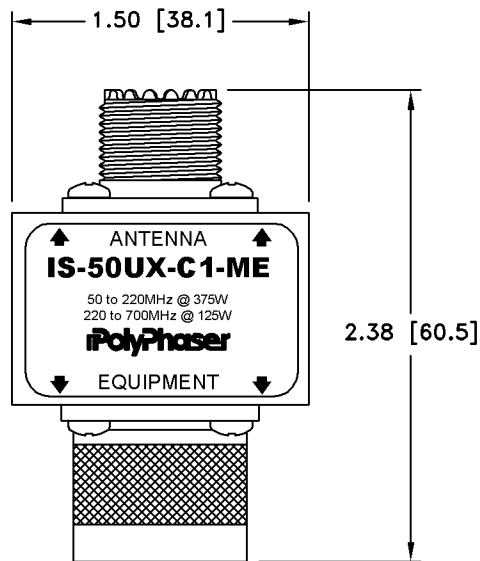
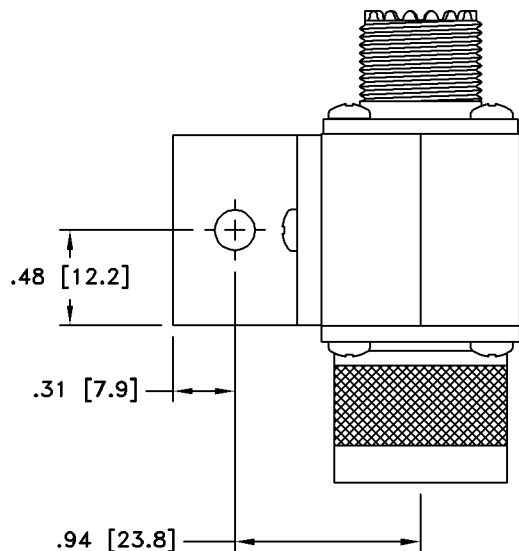


ALL DESIGN, OPERATIVE AND PROCESS DATA PERTAINING TO THE ARTICLE SHOWN ON THIS SHEET IS THE PROPERTY OF POLYPHASER CORPORATION. THE INFORMATION IS NOT TO BE COPIED, REPRODUCED, REVEALED TO OR APPROPRIATED BY OTHERS WITHOUT THE EXPRESS WRITTEN CONSENT OF POLYPHASER CORPORATION.

These commodities or technology are exported from the U.S. in accordance with the Export Administration Regulations. Diversion contrary to U.S. law prohibited.

REVISIONS				
REV LTR	DATE	ENG	MKTG	Q.A.
A	01/16/01 <sup>SH</sup>	KCB	PH	RM
B	05/02/01 <sup>IB</sup>	KCB	PH	LJ
C	09/10/08 <sup>SH</sup>	AD	--	--



### MAXIMUM CHARACTERISTICS

**SURGE:**  
50kA IEC 61000-4-5 8/20 $\mu$ s WAVEFORM 500 JOULES

**TURN-ON:**  
600Vdc  $\pm$ 20%

**TURN-ON TIME:**  
2.5ns for 2kV/ns

**MAX POWER:**  
VHF 375W, UHF 125W

**FREQUENCY RANGE:**  
50MHz TO 700MHz

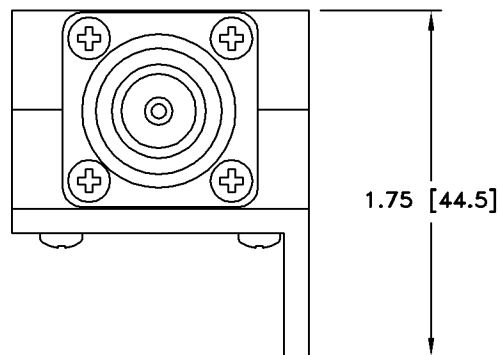
**VSWR:**  
 $\leq$ 1.2:1 @ 50MHz TO 700MHz

**INSERTION LOSS:**  
<0.1dB OVER FREQUENCY RANGE

**THROUGHPUT ENERGY:**  
<600 $\mu$ J FOR 2kV/ns

**VIBRATION:**  
1G @ 5Hz TO 100Hz

**TEMPERATURE:**  
-45°C TO +85°C STORAGE/OPERATING +50°C



CUSTOMER APPROVAL: \_\_\_\_\_ DATE: \_\_\_\_\_  
ALL DIMENSIONS SHOWN ABOVE ARE FOR REFERENCE ONLY.

DRAFTER	DATE
S. HALL	07/20/99
MECH ENGINEER	DATE
P. SKROTZKI	04/04/00
ELEC ENGINEER	DATE
K. BARTEL	03/30/00
MARKETING	DATE
P. HEEREN	03/30/00
QUALITY DEPT	DATE
R. MATHEUS	03/31/00

<b>PolyPhaser</b>			
<small>P.O. BOX 9000 MINDEN, NV 89425 TEL: 775-782-2511 FAX: 775-782-4476</small>			
<small>DWG NO/PART NO/DESCRIPTION</small>			
<b>IS-50UX-C1-ME</b>			
CUSTOMER PRINT			
CAGE CODE	FILE NAME	SCALE	SHEET
61114	-C1	1/1	1 OF 1