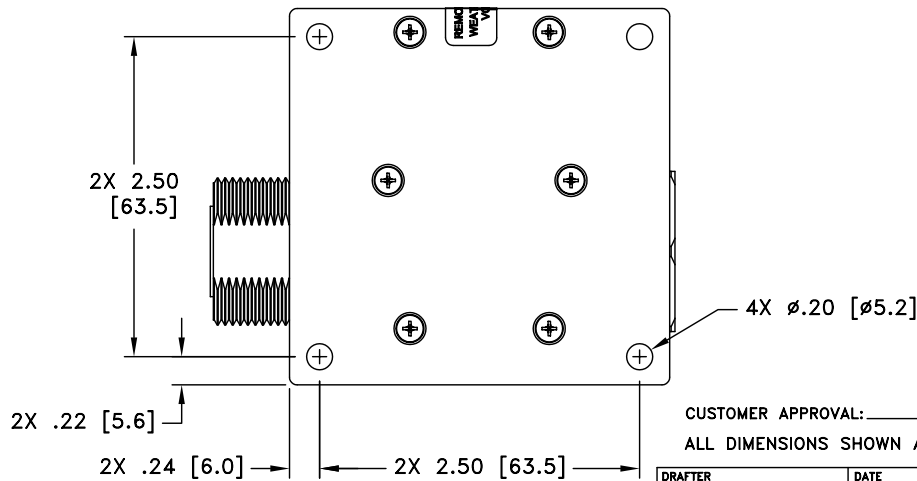
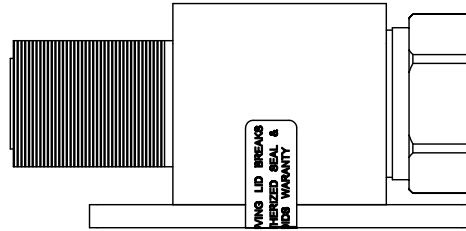
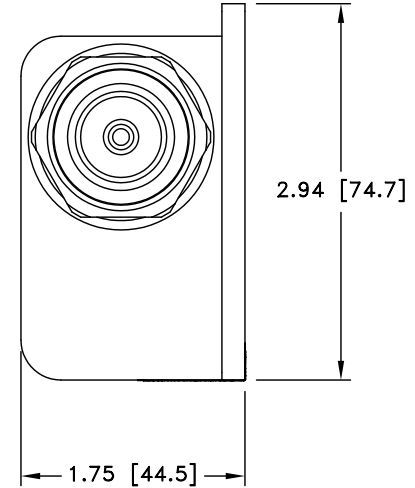
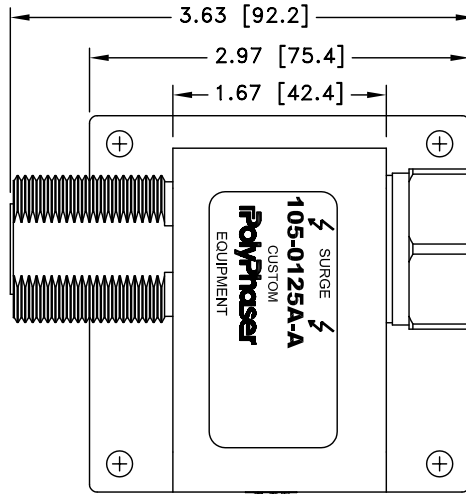
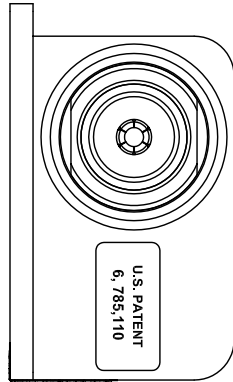


ALL DESIGN, OPERATIVE AND PROCESS DATA PERTAINING TO THE ARTICLE SHOWN ON THIS SHEET IS THE PROPERTY OF POLYPHASER CORPORATION. THE INFORMATION IS NOT TO BE COPIED, REPRODUCED, REVEALED TO OR APPROPRIATED BY OTHERS WITHOUT THE EXPRESS WRITTEN CONSENT OF POLYPHASER CORPORATION.



CUSTOMER APPROVAL: _____ DATE: _____

ALL DIMENSIONS SHOWN ABOVE ARE FOR REFERENCE ONLY.

MAXIMUM CHARACTERISTICS

APPLICATION:
WEATHERIZED, FLANGE OR BULKHEAD MOUNT
FREQUENCY RANGE:
100MHz TO 512MHz
VSWR:
≤1.1:1 OVER FREQUENCY RANGE
INSERTION LOSS:
≤0.1dB OVER FREQUENCY RANGE
POWER:
750W RMS AVERAGE
MAX. SURGE:
20kA IEC 61000-4-5 8/20μs WAVEFORM
THROUGHPUT ENERGY:
≤500nJ FOR 3kA, 8/20μs WAVEFORM
RELATIVE HUMIDITY:
TO 95%
ENVIRONMENTAL:
MEETS IEC 60529 IP67
MEETS BELLCORE #TA-NWT-000487
PROCEDURE 4.11, WIND DRIVEN (120MPH)
RAIN INTRUSION TEST.
TEMPERATURE:
-50°C TO +85°C STORAGE/OPERATING

REVISIONS

REV	LTR	DATE	ENG	MKTG	Q.A.

DRAFTER	R. SWART	DATE	03/02/05
MECH ENGINEER	R. SWART	DATE	03/16/05
ELEC ENGINEER	H. HAGE-MOURAD	DATE	03/15/05
MARKETING	S. DOTTER	DATE	03/15/05
QUALITY DEPT	L. JACQUES	DATE	03/15/05

PolyPhaser			
<small>P.O. BOX 9000 MINDEN, NV 89423 TEL: 775-782-2511 FAX: 775-782-4476</small>			
105-0125A-A			
CUSTOMER PRINT			
CAGE CODE	FILE NAME	SCALE	SHEET
61114	-C1	NOTED	1 OF 1